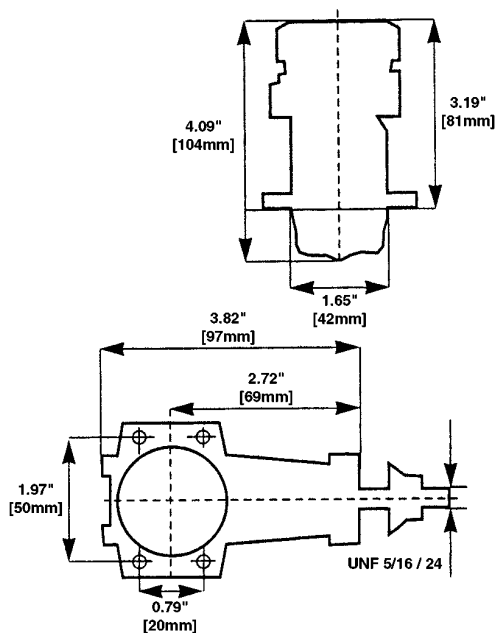


Carburetor Parts List

View#	Part#	Description
1	22262774	High Speed Needle
2	22020562	Carburetor Body O-ring
3	22111862	Needle Ratchet Spring Nut
4	22302773	Spray Bar
5	22250445	Throttle Barrel Guide Screw
6	22170815	Throttle Barrel Spring
7	22313144	Throttle Barrel
8	22333236	Throttle Arm
9	22263099	Idle Needle
10	22322332	Carburetor Body
11	22210286	Fuel Nipple
12	22250346	Screw Set
13	22072813	Needle Valve Assembly
14	22082378	Carburetor Retainer
15	22023104	Idle Needle O-ring
16	22592342	Throttle Barrel Dust Shield
17	22172779	Ratchet Spring
18	22170814	Throttle Barrel Stop Screw Spring

G61 Dimensions



Exploded Views

G61

G61 ABC R/C w/Muffler

Technical Specifications:

Displacement:	.61 cu.in. [9.95cc]
Bore x Stroke:	.945 x .866 in. [24 x 22mm]
G61 R/C Output:	BHP / R.P.M.- 1.85 @ 16,500
Weight w/ Muffler:	26.53 oz. [756 gr.]
Suggested Props:	10x8, 10x9, 11x7, 11x8, 12x6, 12x7

Engine Parts List

View#	Part#	Description
1	22292525	Cylinder Head
2	22092686	ABC Cylinder & Piston Assembly
3	22271773	Wrist Pin
4	22131638	Wrist Pin Retainer
5	22032121	Connecting Rod
6	22053077	Crankcase
7	22121908	Front Bearing
8	22123543	Rear Bearing
9	22012445	Crankshaft
10	22220295	Crankshaft Spacer
11	22101912	Lock Cone
12	22221907	Drive Washer
13	22221903	Prop Washer
14	22112167	Prop Nut
15	12163146	Carburetor
16	22262774	High Speed Needle
17	22020562	Carburetor Body O-ring
18	22082378	Carburetor Retainer
19	22283574	Backplate
20	22243637	Engine Gasket Set
21	22253638	Engine Screw Set
22	22482519	Exhaust Stack
23	12523412	Silent Muffler
24	22253579	Muffler Screw Set
25	22110247	Carburetor Retainer Nut
26	22210286	Fuel Nipple/Pressure Fitting
27	22243221	Exhaust Stack Gasket (5)

Replacement Parts

For replacement parts for your SuperTigre engine, please contact Hobby Services at the address listed below:

Hobby Services

3002 N. Apollo Dr., Suite 1
Champaign, IL 61822
Phone: (217) 398-0007
e-mail: www.hobbyservices.com

9:00 A.M. to 5:00 P.M. Central time
Monday through Friday

The Hobby Services staff will be able to help you with any questions about your SuperTigre engine.

