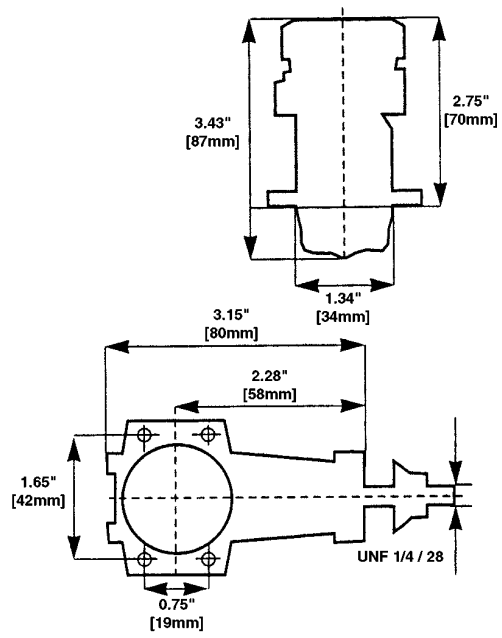


| View#     | Part#    | Description                       |
|-----------|----------|-----------------------------------|
| 1         | 22262774 | High Speed Needle                 |
| 2         | 22020562 | Carburetor Body O-ring            |
| 3         | 22111862 | Needle Ratchet Spring Nut         |
| 4         | 22302775 | Spray Bar                         |
| 5         | 22250445 | Throttle Barrel Guide Screw       |
| 6         | 22170815 | Throttle Barrel Spring            |
| 7         | 22313144 | Throttle Barrel                   |
| 8         | 22333236 | Throttle Arm                      |
| 9         | 22263099 | Idle Needle                       |
| 10        | 22322404 | Carburetor Body                   |
| 11        | 22210286 | Fuel Nipple                       |
| 12        | 22250346 | Screw Set                         |
| 13        | 22072812 | Needle Valve Assembly             |
| 14        | 22080212 | Carburetor Retainer               |
| 15        | 22023104 | Idle Needle O-ring                |
| 16        | 22592342 | Throttle Barrel Dust Shield       |
| 17        | 22172779 | Ratchet Spring                    |
| 18        | 22170814 | Throttle Barrel Stop Screw Spring |
| not shown | 22260354 | Needle                            |
| not shown | 22020561 | Venturi O-ring                    |
| not shown | 22070153 | Needle Assembly/Spray Bar         |
| not shown | 22110136 | Needle Valve Lock Nut             |
| not shown | 22323195 | Venturi                           |

## G51 Dimensions



www.supertigre.com

SUPZ1034 for SUPG0154/0829



## Exploded Views

### G51

G51 Ring R/C w/Muffler  
G51 Ring C/L w/Muffler

#### Technical Specifications:

|                     |                                   |
|---------------------|-----------------------------------|
| Displacement:       | .51 cu.in. [8.3cc]                |
| Bore x Stroke:      | .905 x .787 in. [23 x 20mm]       |
| G51 R/C Output:     | BHP / R.P.M.- 1.48 @ 15,500       |
| Weight w/o Muffler: | 12.73 oz. [363 gr.]               |
| G51 C/L Output:     | BHP / R.P.M.- 0.95 @ 12,000       |
| Weight w/o Muffler: | 10.98 oz. [313 gr.]               |
| Suggested Props:    | 9x8, 10x6, 10x7, 10x8, 11x5, 11x6 |

## Engine Parts List

| View#     | Part#    | Description                    |
|-----------|----------|--------------------------------|
| 1         | 22293178 | Cylinder Head                  |
| 2         | 22043129 | Cylinder Liner—G51 R/C         |
| 2         | 22043181 | Cylinder Liner—G51 C/L         |
| 3         | 22203177 | Piston                         |
| 4         | 22232394 | Piston Ring                    |
| 5         | 22271572 | Wrist Pin                      |
| 6         | 22130249 | Wrist Pin Retainer             |
| 7         | 22032683 | Connecting Rod                 |
| 8         | 22053141 | Crankcase                      |
| 9         | 22121911 | Front Bearing                  |
| 10        | 22121059 | Rear Bearing                   |
| 11        | 22013154 | Crankshaft                     |
| 12        | 22220294 | Crankshaft Spacer              |
| 13        | 22100234 | Lock Cone                      |
| 14        | 22221058 | Drive Washer                   |
| 15        | 22220291 | Prop Washer                    |
| 16        | 22110245 | Prop Nut                       |
| 17        | 12163145 | Carburetor—G51 R/C             |
| 18        | 22262774 | High Speed Needle—G51 R/C      |
| 19        | 22020562 | Carburetor Body O-ring—G51 R/C |
| 20        | 22080212 | Carburetor Retainer            |
| 21        | 22282632 | Backplate                      |
| 22        | 22243216 | Engine Gasket Set              |
| 23        | 22252747 | Engine Screw Set               |
| 24        | 22482571 | Exhaust Stack                  |
| 25        | 12523411 | Silent Muffler                 |
| 26        | 22253579 | Muffler Screw Set              |
| 27        | 22110247 | Carburetor Retainer Nut        |
| 28        | 22210286 | Fuel Nipple/Pressure           |
| 29        | 22243220 | Exhaust Stack Gasket (5)       |
| not shown | 22260354 | Needle—G51 C/L                 |
| not shown | 22020561 | Carburetor Body O-ring—G51 C/L |

### Replacement Parts

For replacement parts for your SuperTigre engine, please contact Hobby Services at the address listed below:

**Hobby Services**  
 1610 Interstate Dr.  
 Champaign, IL 61821  
 Phone: (217) 398-0007  
 e-mail: [www.hobbyservices.com](http://www.hobbyservices.com)

9:00 A.M. to 5:00 P.M. Central time  
 Monday through Friday

The Hobby Services staff will be able to help you with any questions about your SuperTigre engine.

